

Cleaning

Regular cleaning of the basket will help water drain smoothly when showering.

1. Use the lift key (6) to remove the drain grate (1) and stainer basket (7)
2. Reinstall both parts after cleaning

Warranty

Limited **Two (2)** Year Warranty (For USA Only)

The manufacturer warrants this product to be leak and drip free during daily normal household use for as long as it is owned by the original purchaser of this product. Please keep a copy of the original invoice as proof of purchase.

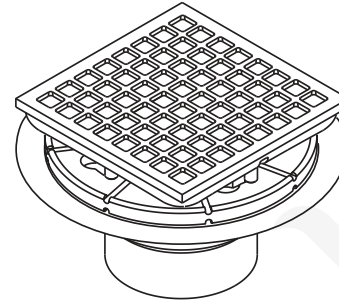
Should a malfunction occur within the warranty period, Luxier USA will, as its option, (1) repair or replace the defective part(s) or product at no charge; (2) issue a refund of the purchase price paid for the product (Valid within 30 days from the date of purchase); or (3) issue a credit to be applied against the purchase of a new Luxier product. Shipping/delivery charges may apply and are in Luxier USA's sole discretion.

This limited warranty shall not apply to goods which have been subject to accident, negligence, improper installation, product abuse, product misuse, or use of cleaners containing abrasives, alcohol or other organic solvents, whether performed by a contractor, service company, or yourself, are excluded from this warranty.

Our responsibility under this warranty is limited to only to replacement parts and no other costs. Luxier USA will not be responsible for labor charges and/or damage incurred by installation, repair or replacement, nor for any indirect incidental or consequential damages, losses, injury or costs of any nature relating to this faucet. Except as provided by law, this warranty is in lieu of and excludes all other warranties, conditions, and guarantees, whether expressed or implied, statutory or otherwise, including without restriction those merchantability of fitness for use.

This limited warranty is non-transferable. This limited warranty only applies to products purchased and installed in the United States. This limited warranty covers the original consumer purchase only and does not include business, commercial or industrial use of this product. To obtain service under the Limited Warranty, please contact Luxier USA at support@luxierusa.com. The Luxier USA Customer Care Department will determine whether to repair or replace your product, issue a refund, or issue a credit.

luxier®



6 in. Square Floor Drain

Models:

FD01-6-TB (stainless steel)

FD01-6-TG (brushed gold)

FD01-6-TM (matte black)

FD01-6-TO (oil rubbed bronze)

Important Information

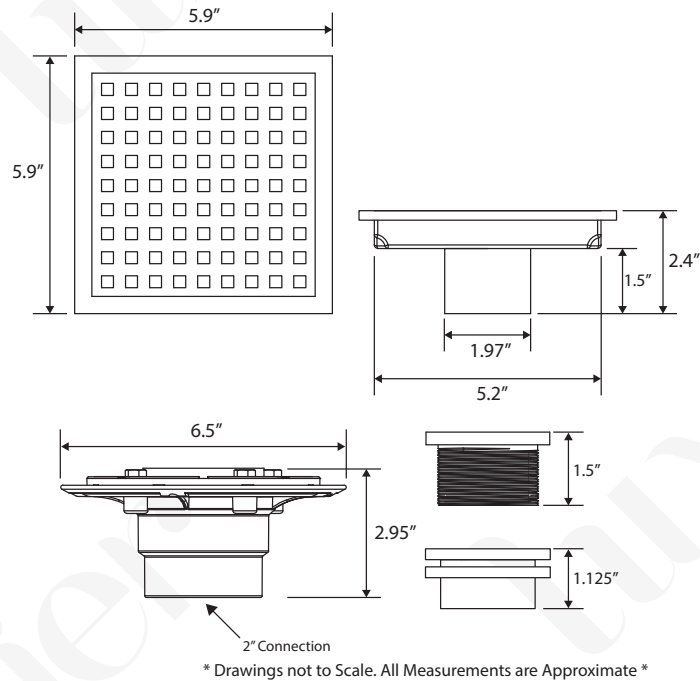
- This installation guide is subject to change without notice
- Read and understand this installation guide completely.
- Observe all local plumbing and building codes.
- This is only a general installation guideline, actual installation may vary. Consult a professional if necessary.
- Product drawings in this installation guide is for illustration purpose only. Actual product may vary by models.
- It is recommended that the installation of this product be performed by trained and experienced installers.

Maintenance Guide

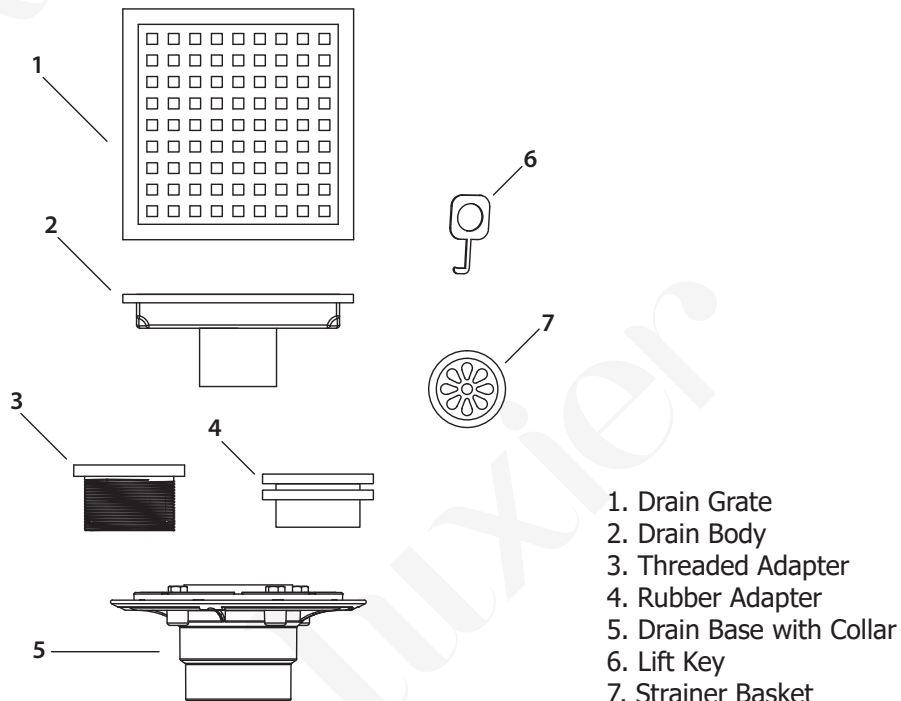
Please follow the cleaning material manufacturer's instructions. Damage caused by improper treatment will not be covered by product warranty. In addition, pay attention to the following points:

- Regular cleaning can prevent mineral build up on surface.
- Carefully read the cleaner product label to ensure the cleaner is safe for use on the material.
- Test the cleaner on a small area before using on the entire surface.
- Use a mild detergent such as liquid dishwashing soap and warm water for cleaning.
- Do not use abrasive / harsh chemical when cleaning the fixture as they will damage and dull the finish.
- When using spray cleaners, spray first onto a soft cloth or sponge. Never spray directly onto the faucet as droplets can enter openings and gaps and cause damage.
- After cleaning, rinse thoroughly with clean water to remove any cleaner residue.

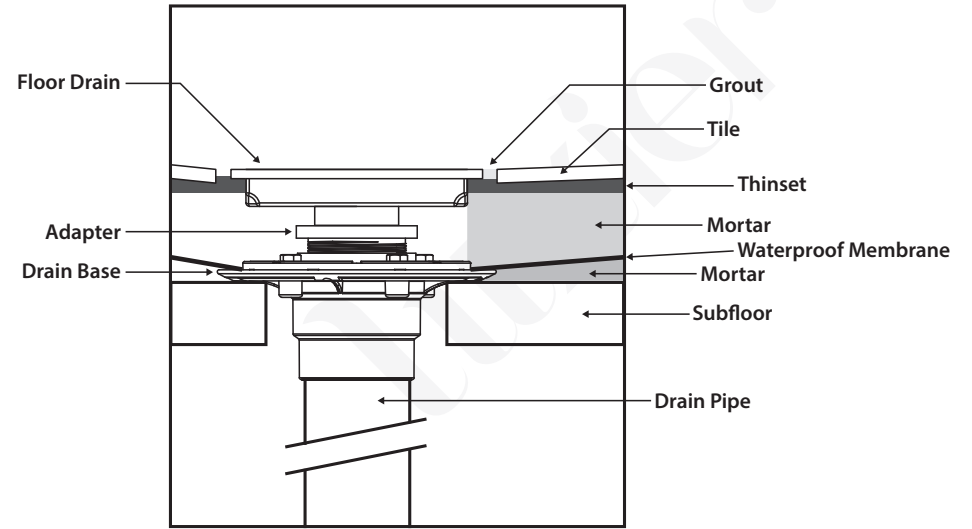
Dimensions



Parts



Installation Diagram



IMPORTANT!

- This product should be installed by a professional installer.
- Proper floor slop must be maintained for drainage as required by the plumbing codes.
- Dry fit all the parts before final installation

Prepare the floor as required by the plumbing codes. The above diagram shows basic installation of the floor drain. Actual installation may vary. Always consult a professional installer before starting the installation process.

The floor drain is equipped with 2 adapters, a threaded adapter (3), a rubber gasket (3), to provide flexibility in installation process. Choose the appropriate adapter for your particular installation. The threaded adapter (3) can be adjusted to accommodate thicker layer of mortar in some installation cases. The rubber adapter (4) can be used if no adjustment is needed.